

TREX spring systems are a product that cannot be compared with rubber wedges and similar products with its absorption capability of 85-99%, its special stainless closed structure, its fixed special springs and its long life thanks to its durable metal structure.

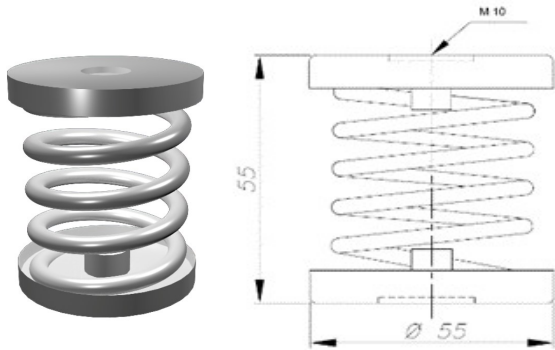
Thanks to its actively working special springs, it works on the basis of energy absorption and offers you a permanent solution.

ISOLATOR SELECTION

With TREX steel anti-vibration, you can reach comprehensive and effective solutions for vibration control problems at the same time with high quality.

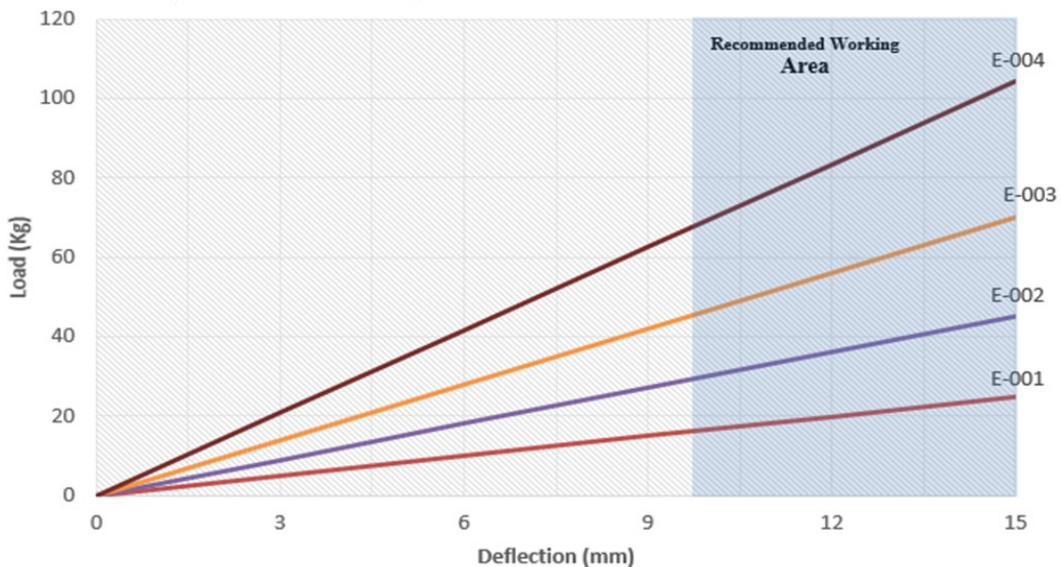
E - SERIES

Cylindrical coil spring in accordance with DIN EN10270-1: 2001. Standard designed for mounting between plated sheet metal plates joined with M 10 nuts.



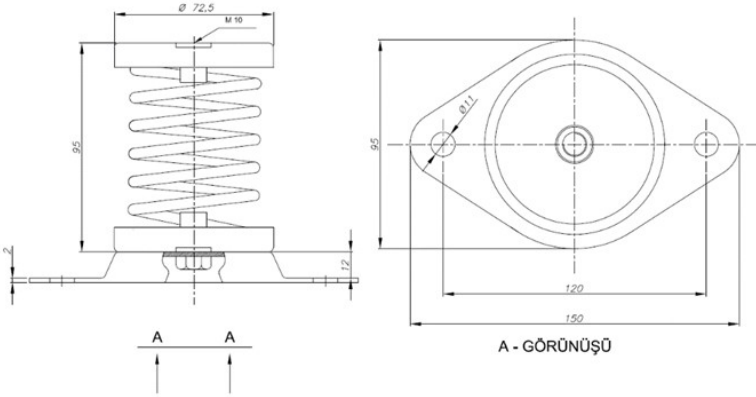
SELECTION GUIDE

MODEL	L (mm)	Rec.Deflection (mm)	kg / mm
E – 001	55	10 – 15 mm	1,66
E – 002	55	10 – 15 mm	3,02
E – 003	55	10 – 15 mm	4,66
E – 004	55	10 – 15 mm	6,95



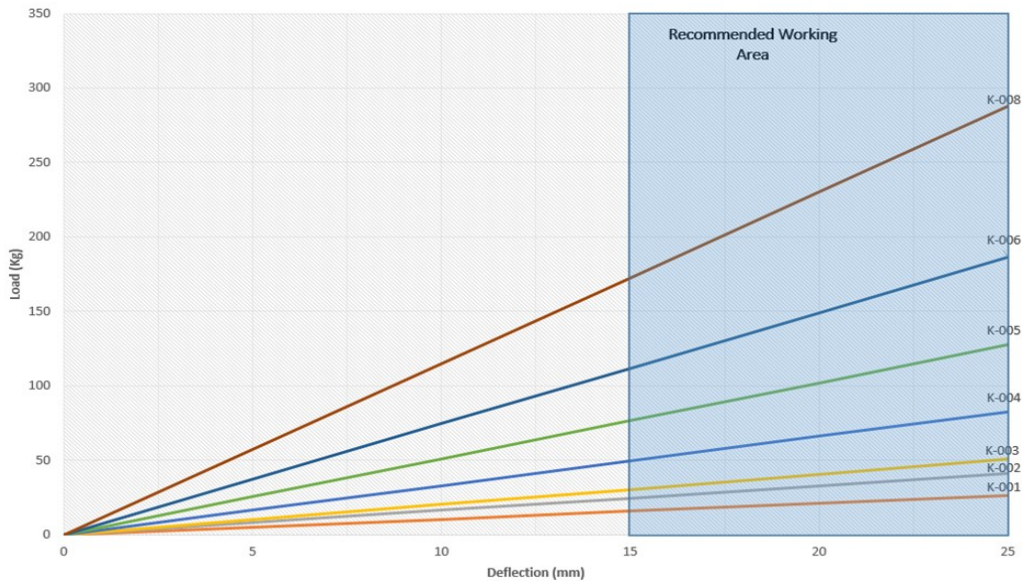
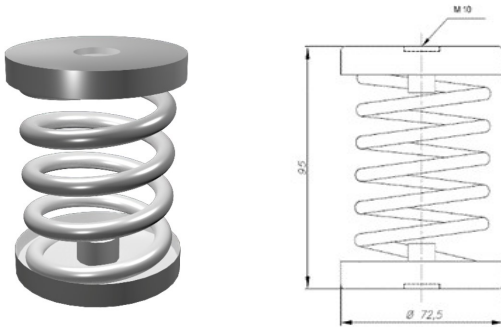
K - SERIES

Cylindrical coil spring in accordance with DIN EN10270-1: 2001. Standard designed for mounting between plated sheet metal plates joined with M 10 nuts.



SELECTION GUIDE

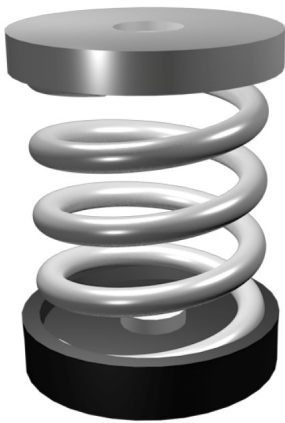
MODEL	L (mm)	Rec.Deflection (mm)	kg / mm
K - 001	95	15 - 25 mm	1,06
K - 002	95	15 - 25 mm	1,65
K - 003	95	15 - 25 mm	2,03
K - 004	95	15 - 25 mm	3,31
K - 005	95	15 - 25 mm	5,11
K - 006	95	15 - 25 mm	7,45



VM - SERİSİ

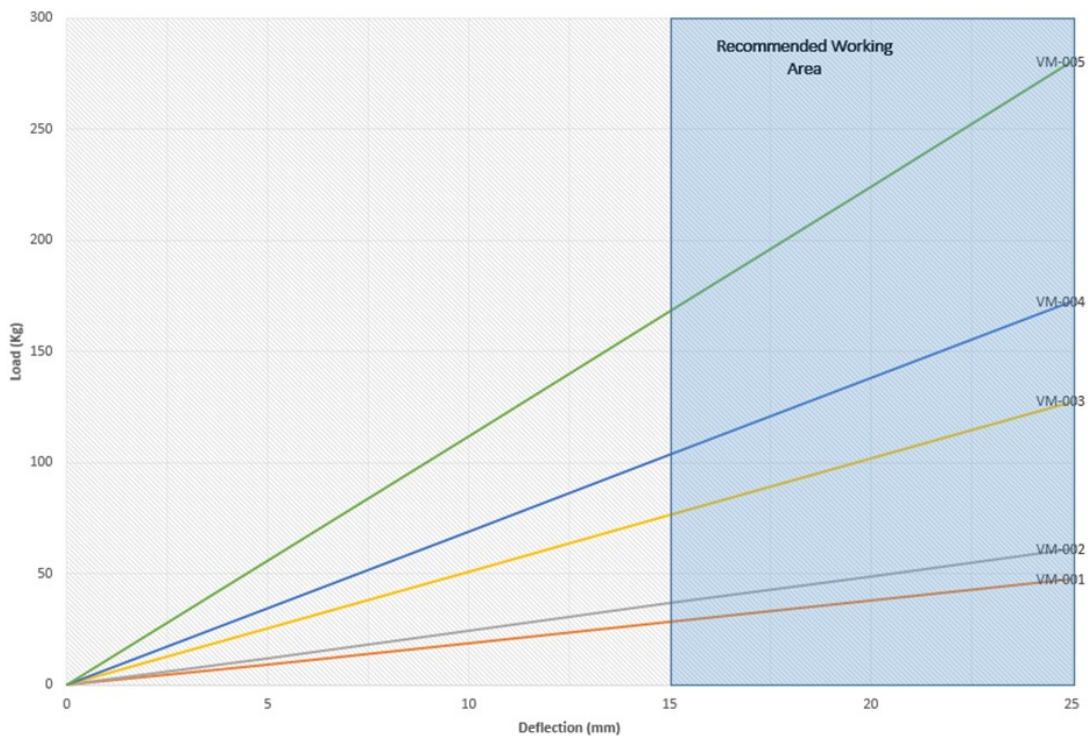
Cylindrical coil spring in accordance with DIN EN10270-1: 2001. Standard designed for mounting between plated sheet metal plates joined with M 10 nuts.

* Supported by rubber.



SELECTION GUIDE

MODEL	L (mm)	Rec.Deflection (mm)	kg / mm
VM – 001	85	15 – 25 mm	1,9
VM – 002	85	15 – 25 mm	2,45
VM – 003	85	15 – 25 mm	5,1
VM – 004	85	15 – 25 mm	6,9
VM – 005	85	15 – 25 mm	11,2



VMA - SERIES

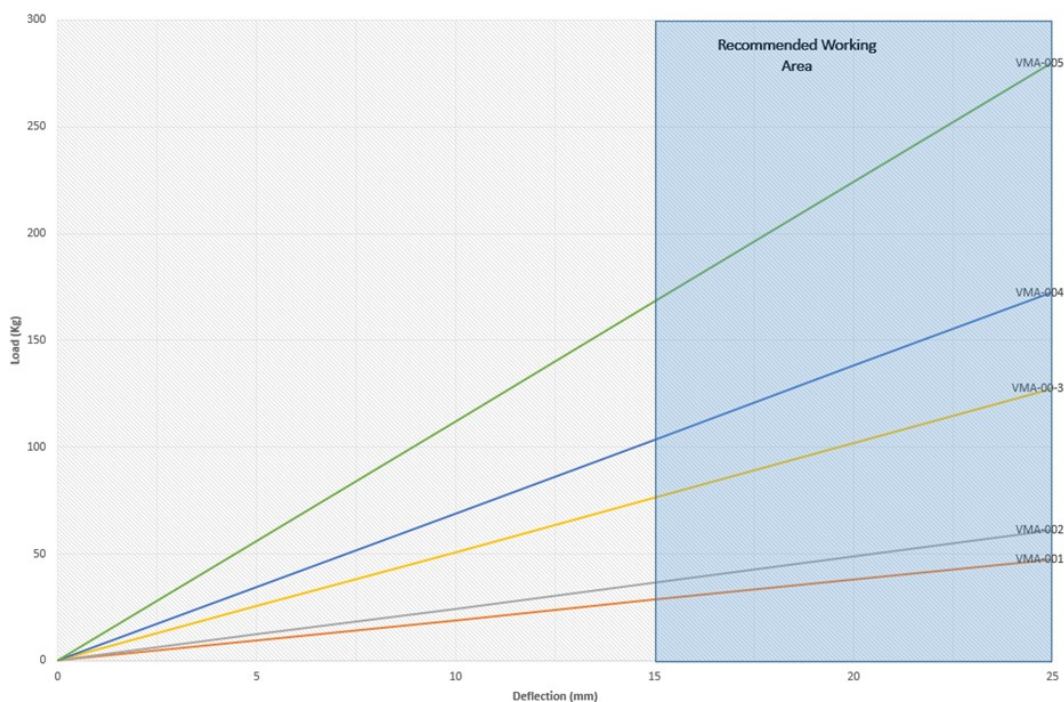
Cylindrical coil spring in accordance with DIN EN10270-1: 2001. Standard designed for mounting between plated sheet metal plates joined with M 10 nuts.

* Supported by rubber.



SELECTION GUIDE

MODEL	L (mm)	Rec.Deflection (mm)	kg / mm
VMA – 001	85	15 – 25 mm	1,9
VMA – 002	85	15 – 25 mm	2,45
VMA – 003	85	15 – 25 mm	5,1
VMA – 004	85	15 – 25 mm	6,9
VMA – 005	85	15 – 25 mm	11,2



SGKJ - SERIES

It's used to dampen the vibrations that occur at the machine groups such as large units, generators, cooling groups, cooling towers etc.

SGKJ block elements consist of two steel plates and spring elements K5 to K8.

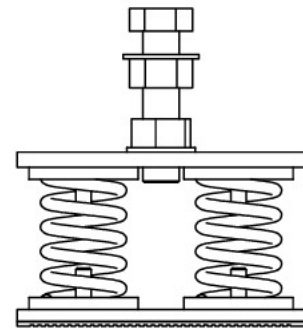
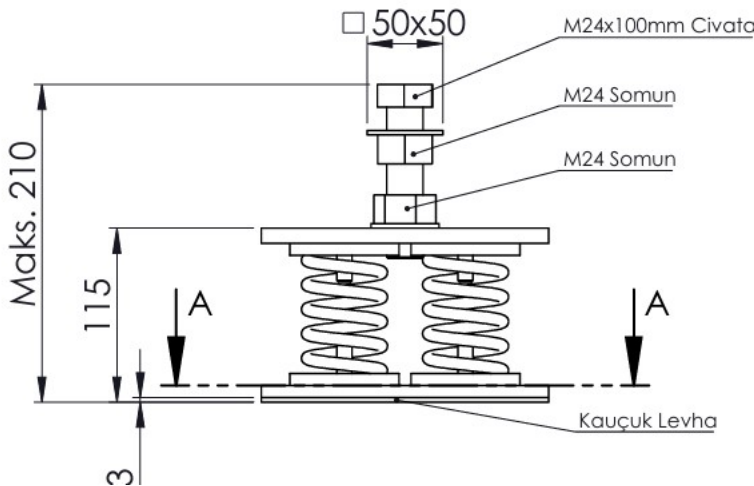
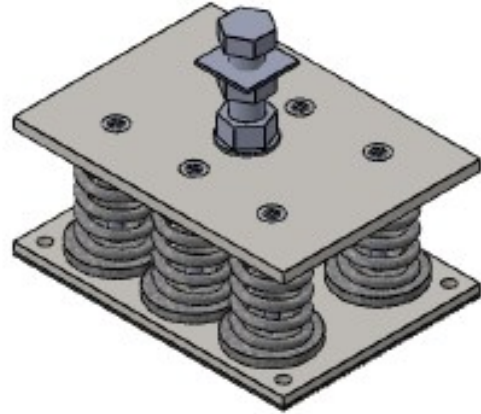
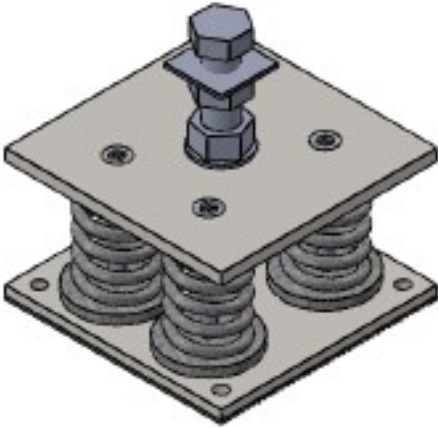
The number of spring elements depends on the load.

All K elements are cathaphoresis coated, which guarantees high corrosion resistance.

Cylindrical coil spring in accordance with DIN EN10270-1: 2001. Standard.

Designed for mounting between plated sheet metal plates joined with M 10 nuts and supported by rubber base.

Special designs are available upon request

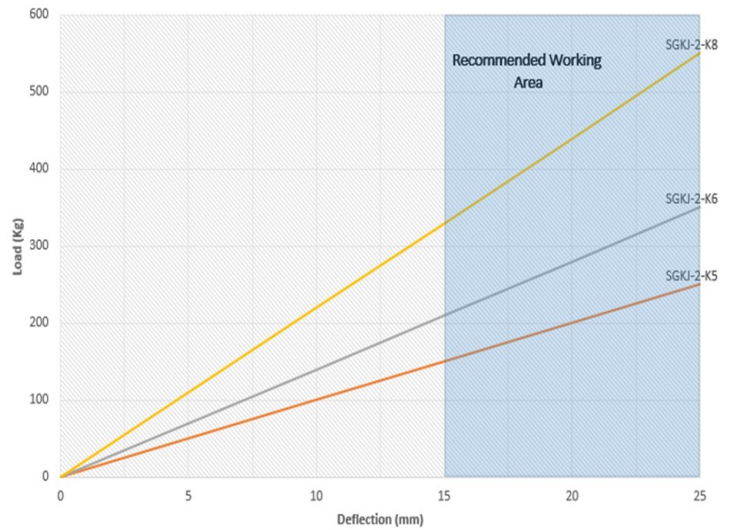


SGKJ - SERIES

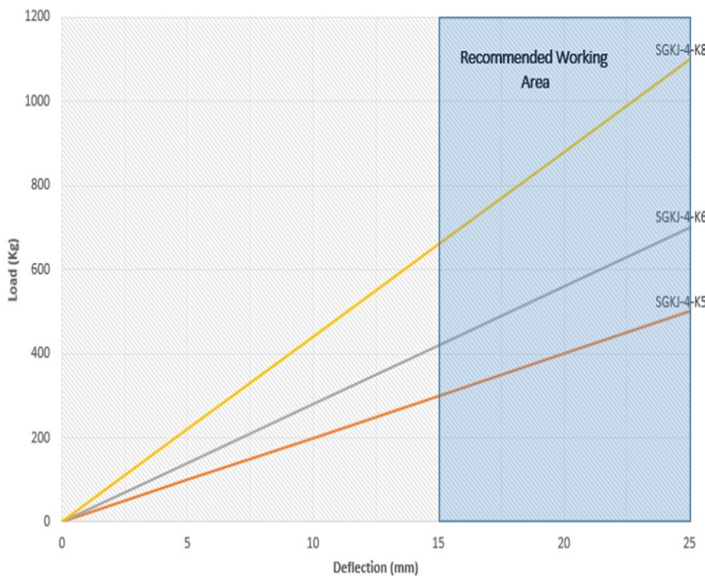
SELECTION GUIDE

MODEL	L (mm)	Rec.Deflection (mm)	kg / mm
SGKJ-2-K5	115	15 – 25 mm	10,08
SGKJ-2-K6	115	15 – 25 mm	14,05
SGKJ-2-K8	115	15 – 25 mm	22,03
SGKJ-4-K5	115	15 – 25 mm	20,16
SGKJ-4-K6	115	15 – 25 mm	28,1
SGKJ-4-K8	115	15 – 25 mm	44,06
SGKJ-6-K5	115	15 – 25 mm	30,24
SGKJ-6-K6	115	15 – 25 mm	42,15
SGKJ-6-S	115	15 – 25 mm	50
SGKJ-6-K8	115	15 – 25 mm	66,09

SGKJ-2 K5/K6/K8



SGKJ-4 K5/K6/K8



SGKJ-6 K5/K6/S/K8

